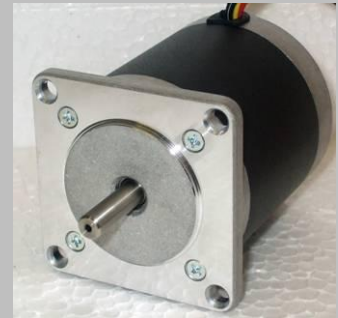


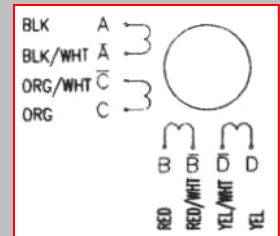
Model MY23HY5-8 Hybrid Stepper Motor

- High Accuracy
- Low Inertia
- High Acceleration
- Unipolar or Bipolar Modes

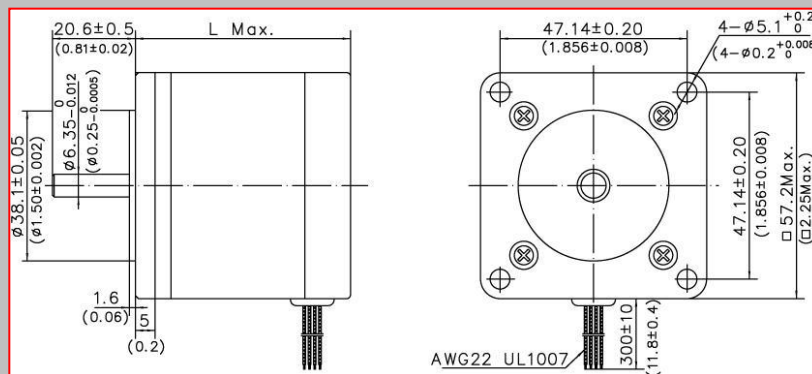


General Specifications

Step Accuracy: Maximum angular deviation is $\pm 5\%$ of one step
 Radial Play: Maximum 0.02mm at 450g
 End Play: Maximum 0.08mm at 450g
 Insulation Resistance: Minimum 100M Ω at 500V dc
 Insulation Class: B
 Temperature Rise: Maximum 80°C



Model	Step Angle	Holding Torque (Bipolar)	No. of Leads	Phase Current	Phase Resistance	Phase Inductance	Rotor Inertia	Detent Torque	Mass	Body Length (L)
	Degree	mNm								
MY23HY5-8	1.8	1130	8	2.70	0.9	3.3	220	62	700	67



Dimensions (mm)