

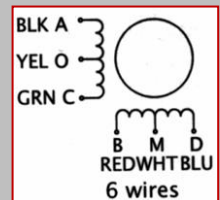
Model MY11HS3-2 Hybrid Stepper Motor

- High Accuracy
- Low Inertia
- Small Size
- Light Weight
- Unipolar or Bipolar Modes

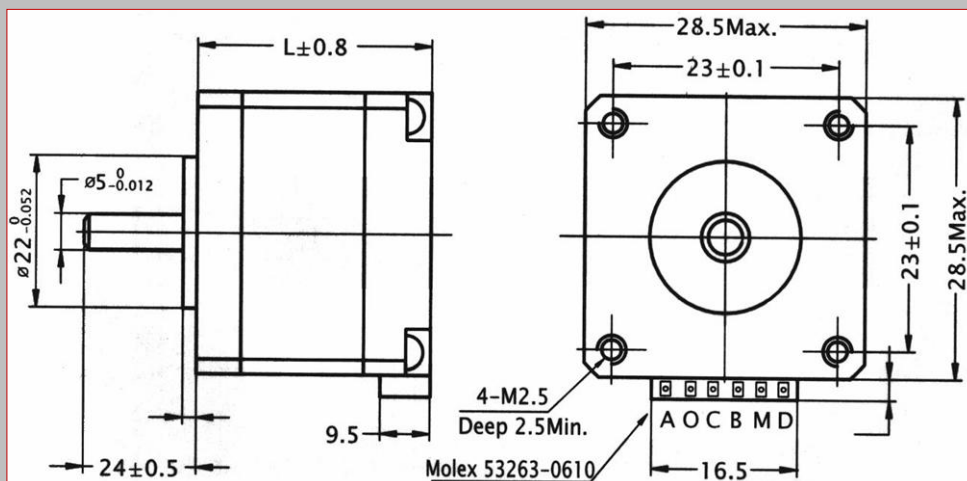


General Specifications

Step Accuracy:	Maximum angular deviation is $\pm 5\%$ of one step
Radial Play:	Maximum 0.02mm at 450g
End Play:	Maximum 0.08mm at 450g
Insulation Resistance:	Minimum 100M Ω at 500V dc
Insulation Class:	B
Temperature Rise:	Maximum 80°C



Model	Step Angle	Holding Torque (Bipolar)	No. of Leads	Phase Current	Phase Resistance	Phase Inductance	Rotor Inertia	Detent Torque	Mass	Body Length (L)
	Degree	mNm		A	Ω	mH	g.cm ²	mNm	g	mm
MY11HS3-2	1.8	85	6	0.95	3.4	1.6	12	6	150	40



Dimensions (mm)